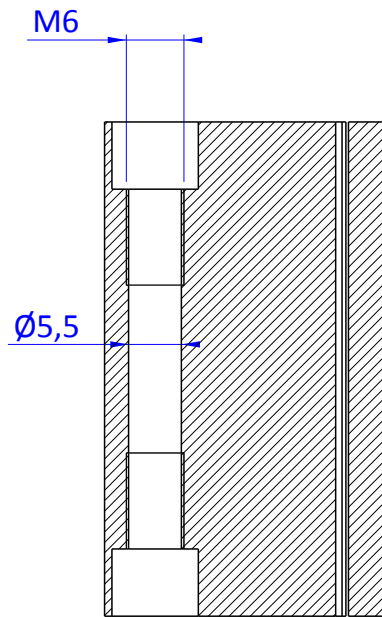
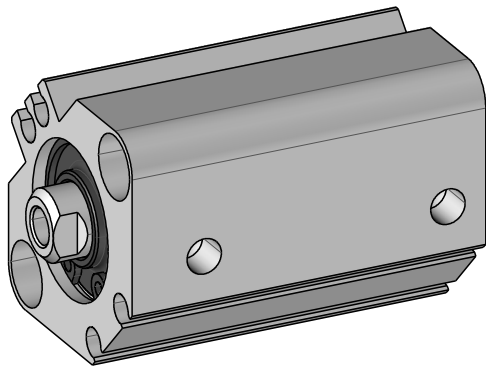
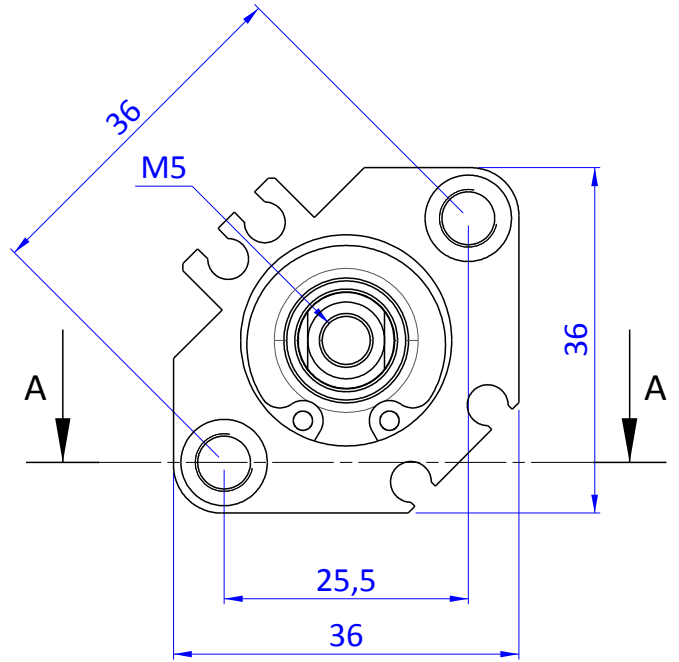
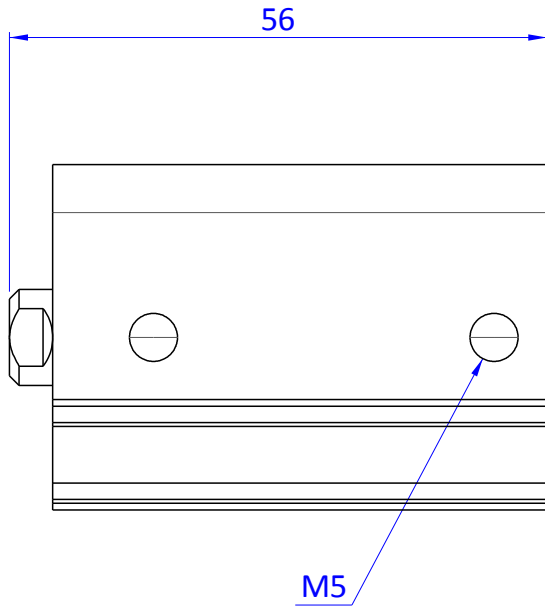

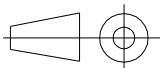


THE PROPERTY OF THE DRAWING IS ESTABLISHED BY LAW. IT IS FORBIDDEN TO PRODUCE OR SHOW IT TO THIRD PART. WITHOUT A WRITTEN AGREEMENT.



A - A

STROKE = 20 mm

<p>Format A4</p> <p>UNI 936-76</p>	 FPS FPSERVICES AUTOMATION			DESIGNED FROM	FPS Automation	REVIEW	A
	GENERAL TOLERANCE	DESCRIPTION		DATE	04/07/2019	WEIGHT	0.150Kg
	UNI - ISO 2768	CA.11.18.006		CODE	CA.11.18.006		
CLASSE f							